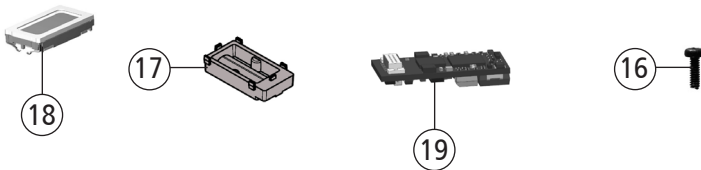
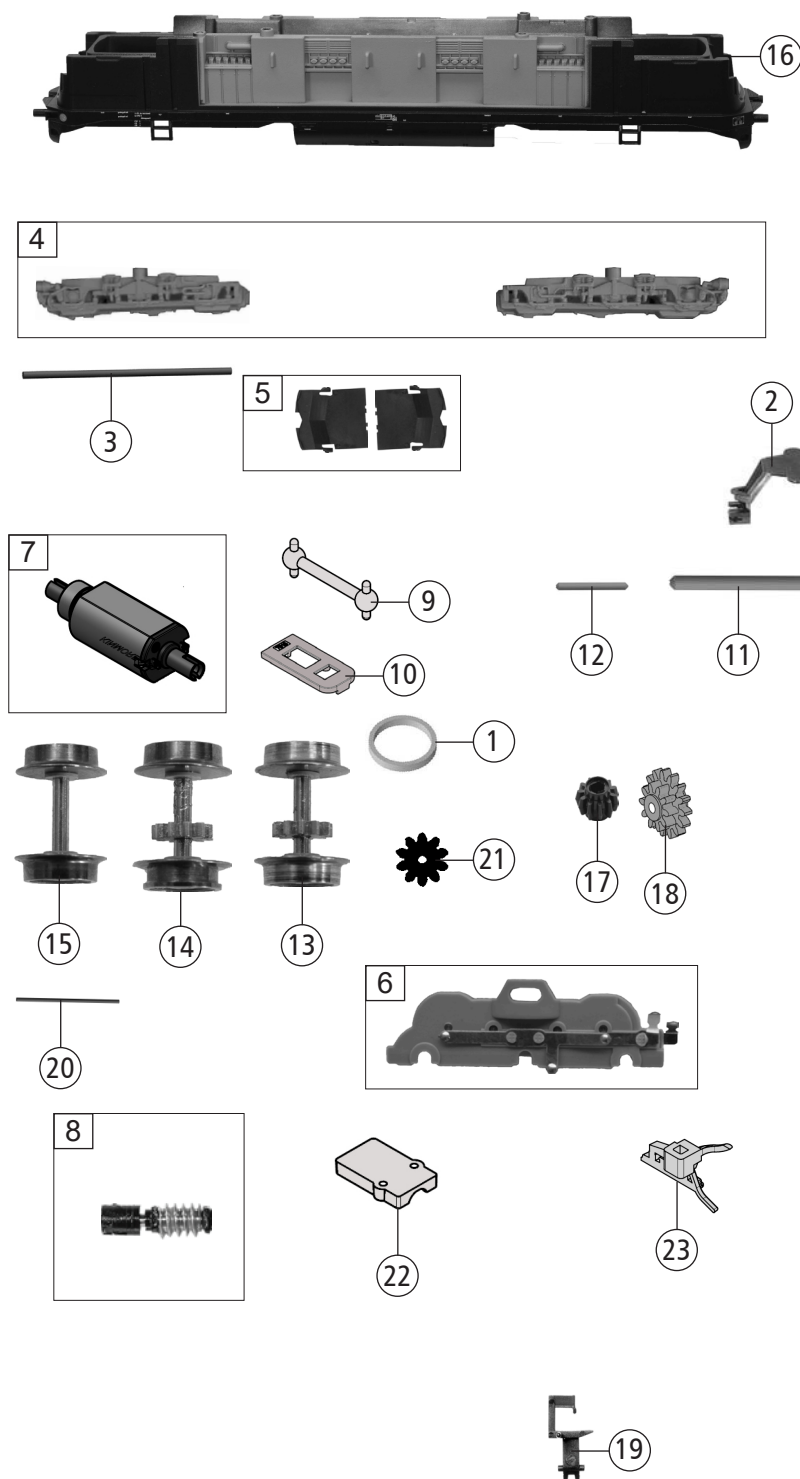


| Pos. Nr. Pos.no. | Beschreibung Description | Art.-Nr. Art.no. | Preisgruppe Price bracket |
|---------------------|--|---------------------|------------------------------|
| 7360005 | DB BR 228 | = | N |
| 7370005 | | = | N |
| 1 | LOKGEHÄUSE KPL. Betr. nr. 228 751-4 Body ass. complete loco no. 228 751-4 | 107360005 | 30 |
| 2 | FÜHRERSTAND-SATZ Drivers cabine - set | 12721301 | 19 |
| 3 | SPITZENLICHTABD.+LICHTMASKE Toplight+light mask | 13721301 | 6 |
| 4 | FENSTER+SCHEINWERFER-SATZ Window+headlight - set | 147360005 | 17 |
| 5 | VIELFACHSTEUERKABEL Multiple control cable | 19721301 | 5 |
| 6 | ZUGHAKEN+BREMSKUPPLUNG-SATZ Coupling hook+brake couplings-set | 19733001 | 12 |
| 7 | GRIFFTANGEN-SATZ Handrails-set | 19772000 | 5 |
| 8 | SCHEIBENWISCHER-SATZ Wipers-set | 19772100 | 7 |
| 9 | PLATINENHALTER PCB holder | 147028 | 4 |
| 10 | PLATINE KPL. M. LED PL. NEXT18 PCB complete w. LED PCB | 144450 | 23 |
| 11 | PT-SCHRAUBE M1,5x5 mm PT-Screw | 108137 | 3 |
| 12 | BRÜCKENSTECKER Jumper | 149978 | 17 |
| 13 | PUFFER+PUFFERBRUST-SATZ Buffer+buffer beam-set | 75716500 | 11 |
| 14 | SK-SCHRAUBE M 1,6x4 mm SK-Screw | 115161 | 3 |
| 15 | ANTENNE Antenna | 19772200 | 5 |
| 16 | GF-SCHRAUBE M 1,6x4 mm GF-Screw | 114850 | 3 |
| 17 | LAUTSPRECHERBOX Loudspeaker box | 144451 | 6 |
| Sound | | | |
| 18 | LAUTSPRECHER Loudspeaker | 68701100 | 16 |
| 19 | SOUNDECODER Sound decoder | 68158018 | 40 |





| Pos. Nr. Pos.no. | Beschreibung Description | Art.-Nr. Art.no. | Preisgruppe Price bracket |
|---------------------|--|---------------------|------------------------------|
| 7360005 | DB BR 228 | = | N |
| 7370005 | | = | N |
| 1 | HAFTREIFEN Traction tyre | 00547001 | 1 |
| 2 | KUKU-DEICHSEL Short coupling reception | 38702900 | 7 |
| 3 | KUPPLUNGSHALTESTANGE Coupling support rod | 38734501 | 5 |
| 4 | DREHGESTELLRAHMEN-SATZ Bogie framework | 41721301 | 11 |
| 5 | DEICHSELABDECKUNG-SATZ Shaft cover plate | 43721301 | 9 |
| 6 | DREHGESTELLBLOCK Bogie block | 45721404 | 17 |
| 7 | MOTOR KPL. M.SCWUNGMASSE+2KAR Motor complete w.flywheel+2cardan rec | 144448 | 18 |
| 8 | SCHNECKENSATZ M. KARDANSCHALE Wormgear set w. cardan reception | 146536 | 13 |
| 9 | KARDANWELLE Cardan shaft | 146538 | 4 |
| 10 | MOTORDISTANZPLATTE Motor spacer plate | 144449 | 3 |
| 11 | ACHSE Axle | 00527009 | 1 |
| 12 | ACHSE F. DREHGESTELLBEF. Axle for bogie | 00527010 | 1 |
| 13 | RADSATZ KPL. MIT ZAHNRAD O. H. Wheelset comp. w. gear wh. w/o tr.tyre | 53716100 | 13 |
| 14 | RADSATZ KPL. MIT ZAHNRAD M.N. Wheelset comp. w.gear wheel w. groove | 53716200 | 13 |
| 15 | RADSATZ KPL. O.Z.O.HAFTR. Wheelset compl. w/o gear wh.w/o tr.tyre | 53716300 | 14 |
| 16 | GRUNDRAHMEN Basic frame | 407360005 | 19 |
| 17 | ZAHNRAD Z=11 Gear wheel | 56716100 | 3 |
| 18 | UNTERSETZUNGSRAD Reduction gear wheel | 56719800 | 5 |
| 19 | KUPPLUNG N-SPUR Coupling | 98189 | 6 |
| 20 | RICHTFEDER f. DEICHSEL Straightening pin for shaft | 00767008 | 1 |
| 21 | ZAHNRAD Z=10 Gear wheel | 56720200 | 5 |
| 22 | SCHNECKENDECKEL Wormgear cover | 146537 | 4 |
| 23 | INDUSI Indusi | 147029 | 3 |